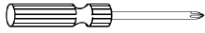



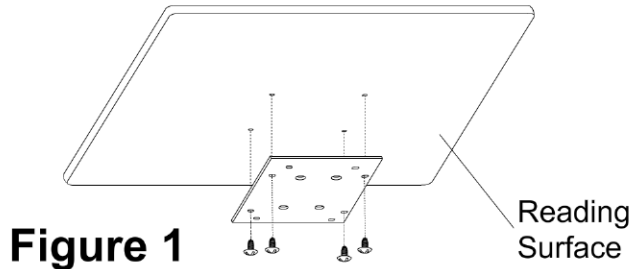
# 70

## Portable Presentation Lectern

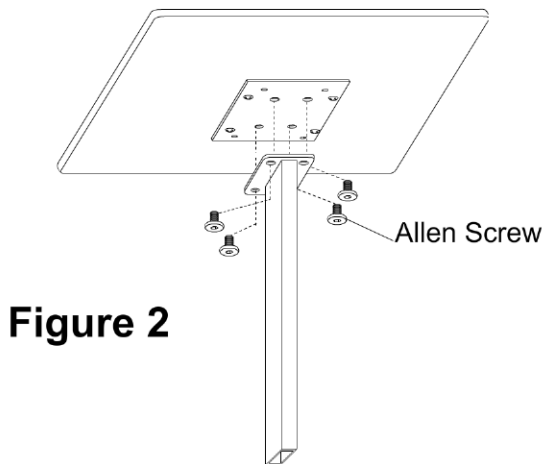
### Tools Required

Philips screw driver   
Allen Wrench (Included) 

**Step 1:** Lay reading surface upside down on a flat area. Attach plate to bottom side of reading surface using four screws. See **Figure 1**.

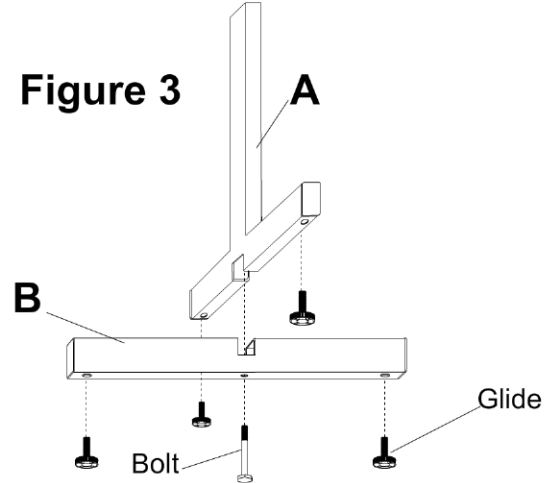


**Step 2:** Attach inner tube with slant pointing toward front, using four Allen screws, to the plate under reading surface. See **Figure 2**.

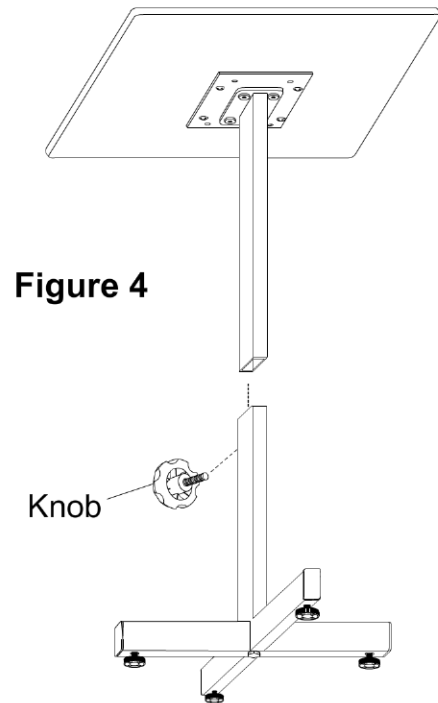


# Assembly Instructions

**Step 3:** Attach outer tube part A to part B and secure using bolt. Screw four glides into holes located in the bottom of part A and part B. See **Figure 3**.



**Step 4:** Insert inner tube into outer tube. Screw Knob into insert located on the front of the outer tube and tighten well. See **Figure 4**.



**Height Adjustment:** To adjust the height of the unit hold the inner tube with one hand and loosen the knob with the other hand. Set height at desired level and tighten knob.